

## **32-63A RACK-MOUNT ROTARY BYPASS SWITCH**

## **INSTALLATION MANUAL**

# INTRODUCTION

Thank you for purchasing this rack mounted UPS external bypass switch (RMBS), this is a 19inch rack-mounted unit specifically designed to allow isolation and removal UPS equipment, without causing interruption to the supply of power to connected loads.

Please read this manual thoroughly and follow the instructions carefully. Before attempting to install or use the RMBS, familiarize yourself with the RMBS and its operation.

Warning exposure to hazardous voltages may occur if the installation procedure is not followed.

It is recommended that installation of this product is carried out by a qualified electrician

**WARNING!**

HAZARDOUS VOLTAGES MAY BE PRESENT WITHIN THIS UNIT  
THIS UNIT IS SUPPLIED FROM MULTIPLE SOURCES, ENSURE ALL SOURCES ARE  
ISOLATED BEFORE COMMENCING WORK

**WARNING!**

BEFORE OPERATION OF THIS BYPASS SWITCH  
ENSURE THE UPS IS IN NORMAL OPERATION AND NOT IN BATTERY MODE  
REFER TO UPS USER MANUAL

**WARNING!**

INCORRECT OF OPERATION OF THIS SWITCH MAY RESULT IN DAMAGE TO THE  
UPS AND/OR INTERRUPTION OF LOAD  
FOLLOW SWITCHING INSTRUCTIONS CAREFULLY

# ELECTRICAL CONNECTIONS

**WARNING!**

HAZARDOUS VOLTAGES MAY BE PRESENT WITHIN THIS UNIT  
THIS UNIT IS SUPPLIED FROM MULTIPLE SOURCES, ENSURE ALL SOURCES ARE  
ISOLATED BEFORE COMMENCING WORK

## **Connection of Mains Supply**

Feed the Mains Supply cable through a gland on the rear cover and secure. Terminate the cables in the terminals marked Mains.

## **Connection of the Input to the UPS**

Feed the UPS Input cable through a gland on the rear cover and secure. Terminate the cables in the terminals marked UPS In.

## **Connection of the Output from the UPS**

Feed the UPS Output cable through a gland on the rear cover and secure. Terminate the cables in the terminals marked UPS Out.

## **Connection of the Load Equipment**

Feed the Load cable through a gland on the rear cover and secure. Terminate the cables in the terminals marked Load.

## **Connection of the UPS Inverter Inhibit Signal**

Feed the UPS Inverter inhibit cable through a gland on the rear cover and secure. Terminate the cables in the terminals marked UPS Aux. (See UPS User manual to see if N/O or N/C inverter inhibit connections are required) If UPS does not have inverter inhibit aux contact connections, ensure installation is labelled accordingly otherwise operation of rotary bypass may damage UPS, damage the rack mount bypass rotary switch and cause loss of power to load.

# OPERATION

## Initial Switch On

1. Ensure all connections are correct
2. Ensure the rotary switch in the 'NORMAL' position
3. Ensure the rotary switch cover plate is attached firmly in place
4. Switch on the AC supply to the RMBS
5. The UPS should now begin its start-up procedure
6. Follow the instructions detailed in the UPS user manual to confirm UPS is operating correctly

## Transfer From UPS to Bypass Operation For Maintenance and Testing

WARNING

ENSURE THE UPS IS IN NORMAL OPERATION AND NOT IN BATTERY MODE  
REFER TO UPS USER MANUAL

1. Remove the rotary switch cover plate using the two thumb screws
2. If the interlock connections have been installed, the UPS should automatically transfer to internal UPS bypass. If however they have not been installed, then follow the UPS instructions to transfer the UPS to internal bypass operation. (See the UPS User Manual)
3. Check the UPS display to ensure the unit is in internal bypass operation
4. Rotate the switch to the 'UPS + Bypass' position, the load is now powered by the RMBS
5. The UPS still has mains supply voltage present for testing purposes

# O P E R A T I O N

## **Transfer From UPS to Bypass Operation For Maintenance with Complete Isolation of the UPS**

1. Remove the rotary switch cover plate using the two thumb screws
2. If the interlock connections have been installed, the UPS should automatically transfer to internal UPS bypass. If however they have not been installed, then follow the UPS instructions to transfer the UPS to internal bypass operation. (See the UPS User Manual)
3. Check the UPS display to ensure the unit is in internal bypass operation
4. Rotate the switch to the 'UPS + Bypass' position, the load is now powered by the RMBS
5. To isolate the UPS rotate the switch to the 'Bypass' position, the UPS input/output connections are now isolated.

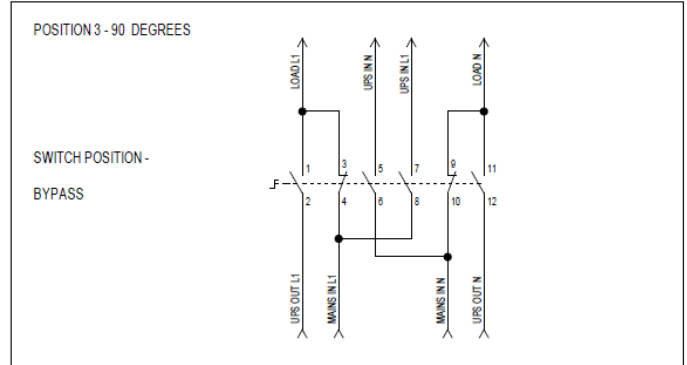
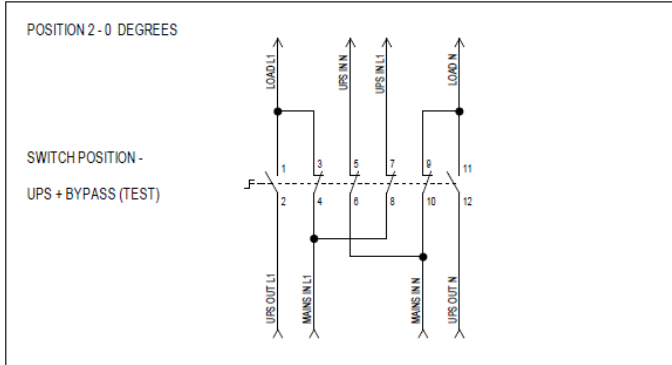
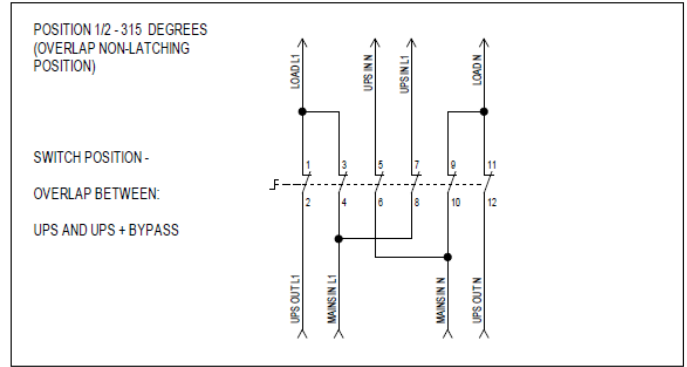
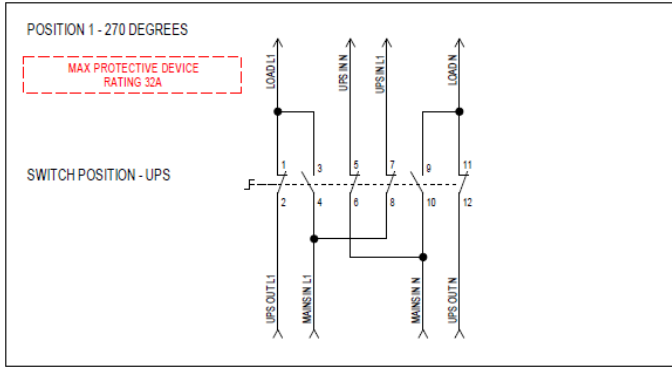
## **Transfer From Bypass to UPS Operation**

**WARNING**

**LOAD IS ONLY FULLY PROTECTED WHEN THE ROTARY SWITCH IS IN THE UPS POSITION AND THE UPS IN NORMAL ONLINE OPERATION**

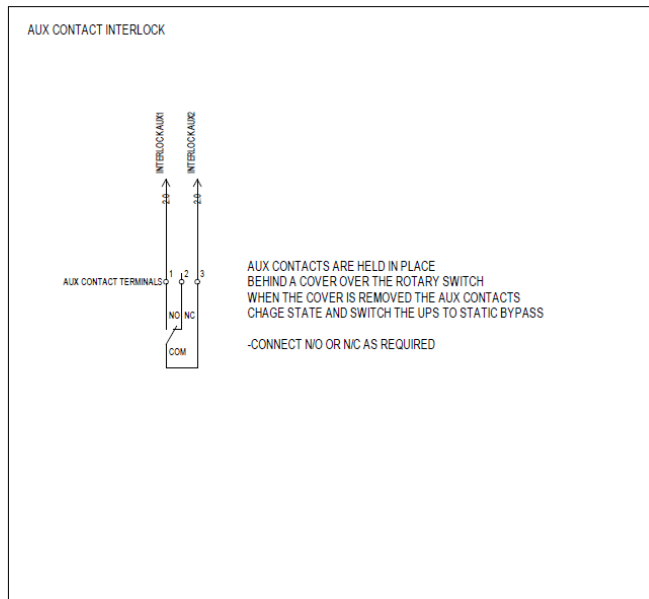
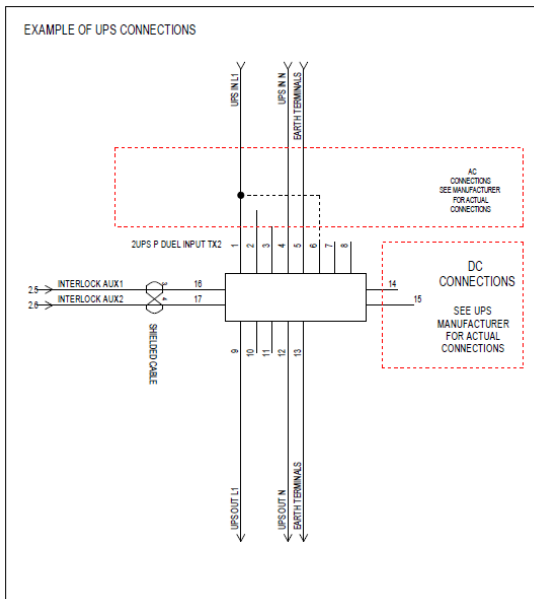
1. Remove the rotary switch cover plate using the two thumb screws
2. Rotate the switch from 'Bypass' position to 'Bypass + UPS' position
3. The UPS Should now begin start-up procedure (refer to UPS user manual for switch on instructions)
4. ENSURE the UPS is in internal bypass operation (See the UPS User Manual)
5. Rotate the switch to the 'UPS' position
6. Transfer the UPS to normal online operation (See the UPS User Manual)
7. The load is now supplied by the UPS

# TECHNICAL SPECIFICATION



2 CORE SHIELDED CABLE TO BE RUN TO UPS UNIT FROM EXTERNAL BYPASS PANEL

EARTH TERMINALS →



MODEL	RB1-R-EMBS-32A-2P-RTY	RB1-R-63A-2P-RTY
Max Current	32A	63A
Approx* UPS Sizing	6kva	10kva
Dimensions (mm) WxHxD	482 x 132 x 260 (WxHxD) (3U)	482 x 132 x 260 (WxHxD) (3U)
Weight (Kg)	5.0	5.0
Connections	16mm Terminal	16mm Terminal
Max Cable Size	16mm <sup>2</sup> Flexible	16mm <sup>2</sup> Flexible
Max Cable Gland Size	40mm Compression Gland x 4	40mm Compression Gland x 4