

EARTH → 2.5

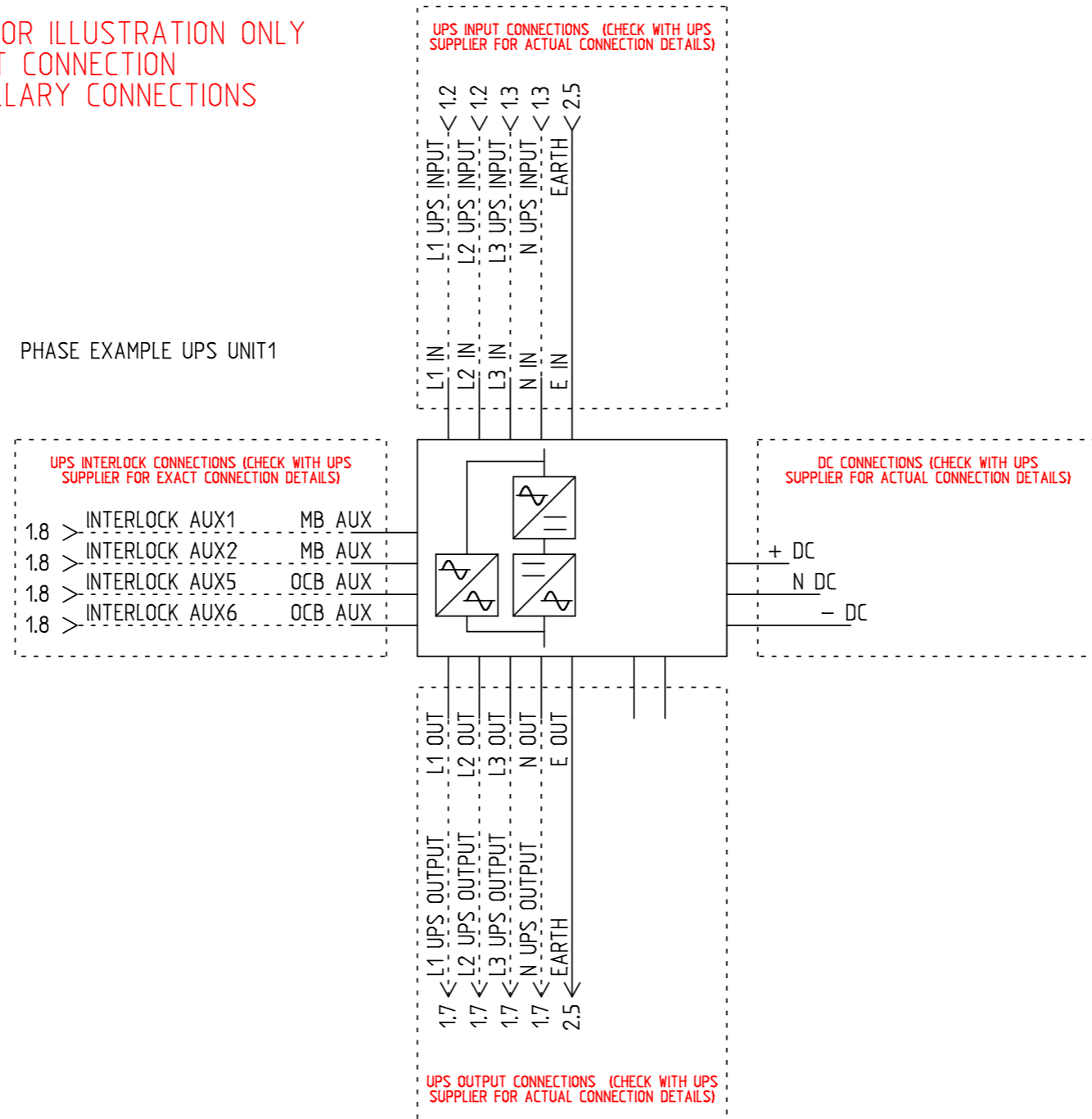
NO 1.8 | NC 1.9

NO 1.8 | NC 1.9

| | | | | |
|---|--------------------|------------------------------|----------------|--------------|
| NOTES: 1) PRODUCT MUST BE INSTALLED IN COMPLIANCE WITH ALL NATIONAL AND LOCAL ELECTRICAL REGULATIONS 2) PLEASE REFER TO UPS PRODUCT MANUALS FOR ADDITIONAL INFORMATION 3) ALL DIMENSIONS IN MM UNLESS OTHERWISE SPECIFIED 4) 4 - CORE SHIELDED SIGNAL CABLE MUST BE RUN FROM EMBS TO EACH UPS UNIT 5) ALL DASHED LINES EXTERNAL TO BYPASS PANEL | PRODUCT REF: | RB1-EMBS-630A-4P-ISO-(4-4-4) | REV NO: | 4 |
| | DOCUMENT NUMBER: | RBECAD-00099 | CREATION DATE: | 25/04/2016 |
| | PAGE DESCRIPTION: | MAIN SWITCH'S | REV DATE: | 25/07/2020 |
| | PROJECT NO: | SUBMITTAL DRAWING | DRAWN BY: | R BARNES |
| | PAGE TEMPLATE REF: | RBQS00075REV1 | CHECKED BY: | L RICHARDSON |
| | PRODUCT WEIGHT: | 300KG | SHEET NUMBER: | 1 OF 6 |

EXAMPLE UPS UNIT CONNECTION DIAGRAM FOR ILLUSTRATION ONLY
 CHECK WITH UPS UNIT SUPPLIER FOR EXACT CONNECTION
 CONFIGURATION FOR THE AC, DC AND AUXILLARY CONNECTIONS

PHASE EXAMPLE UPS UNIT1



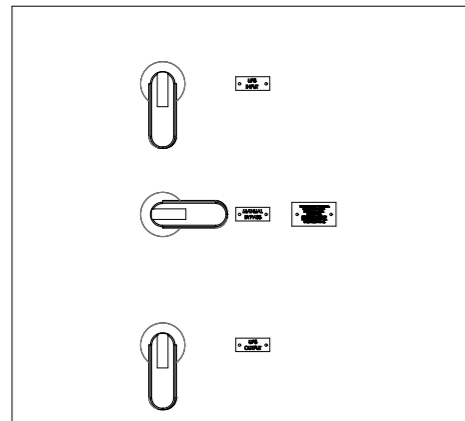
NOTES:

- 1) PRODUCT MUST BE INSTALLED IN COMPLIANCE WITH ALL NATIONAL AND LOCAL ELECTRICAL REGULATIONS
- 2) PLEASE REFER TO UPS PRODUCT MANUALS FOR ADDITIONAL INFORMATION
- 3) ALL DIMENSIONS IN MM UNLESS OTHERWISE SPECIFIED
- 4) 4 - CORE SHIELDED SIGNAL CABLE MUST BE RUN FROM EMBS TO EACH UPS UNIT
- 5) ALL DASHED LINES EXTERNAL TO BYPASS PANEL

| | | | |
|--------------------|------------------------------|----------------|--------------|
| PRODUCT REF: | RB1-EMBS-630A-4P-ISO-(4-4-4) | REV NO: | 4 |
| DOCUMENT NUMBER: | RBECAD-00099 | CREATION DATE: | 25/05/2016 |
| PAGE DESCRIPTION: | UPS UNIT | REV DATE: | 25/07/2020 |
| PROJECT NO: | SUBMITTAL DRAWING | DRAWN BY: | R BARNES |
| PAGE TEMPLATE REF: | RBQS00078REV2 | CHECKED BY: | L RICHARDSON |
| PRODUCT WEIGHT: | 300KG | SHEET NUMBER: | 2 OF 6 |

DO NOT USE THIS PROCEDURE IF THE MAINS IS NOT AVAILABLE. IF IN ANY DOUBT CONTACT YOUR UPS SERVICE PROVIDER.

STEP A (NORMAL POSITION)



MANUAL BYPASS:
-IN THE OFF POSITION

UPS OUTPUT:
-IN THE ON POSITION

UPS UNIT:
-NORMAL MODE – ONLINE – LOAD ON UPS

STEP B

REFER TO UPS USER MANUAL TO SWITCH THE UPS UNIT (OR UNITS) TO STATIC BYPASS

ONCE UPS UNIT (OR UNITS) ARE IN STATIC BYPASS CONTINUE THE SWITCHING SEQUENCE

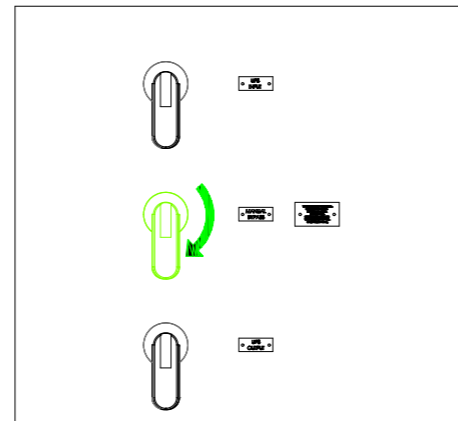
MANUAL BYPASS:
-IN THE OFF POSITION

UPS OUTPUT:
-IN THE ON POSITION

UPS UNIT:
-STATIC BYPASS – LOAD ON MAINS

THE UPS MUST BE IN STATIC BYPASS BEFORE CONTINUING OR MAJOR DAMAGE TO THE UPS AND LOSS OF POWER TO THE LOAD WILL OCCUR!

STEP C

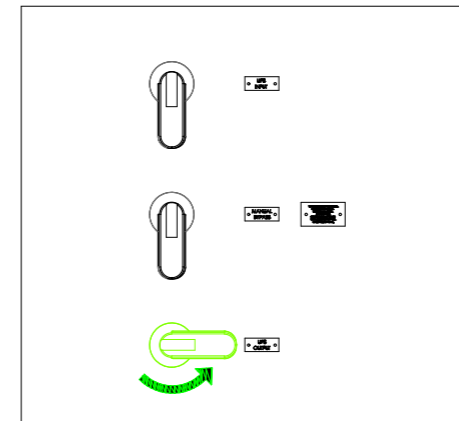


MANUAL BYPASS:
-IN THE ON POSITION

UPS OUTPUT:
-IN THE ON POSITION

UPS UNIT:
-STATIC BYPASS – LOAD ON MAINS

STEP D



MANUAL BYPASS:
-IN THE ON POSITION

UPS OUTPUT:
-IN THE OFF POSITION

UPS UNIT:
-STATIC BYPASS – LOAD ON MAINS

STEP E (ON BYPASS POSITION)

UPS SYSTEM IS NOW ON EXTERNAL BYPASS

TO RETURN TO NORMAL MODE ONLINE UPS OPERATION FOLLOW THE NEXT SEQUENCE

MANUAL BYPASS:
-IN THE ON POSITION

UPS OUTPUT:
-IN THE OFF POSITION

UPS UNIT:
-STATIC BYPASS – LOAD ON MAINS

STEP F

THIS PROCEDURE ASSUMES:

ALL SWITCH'S ON THE EMBS AND ON THE UPS UNIT SHOULD STILL BE AS PER STEP E ON THE PREVIOUS LINE PRIOR TO PROCEEDING

THE UPS UNIT SHOULD BE IN STATIC BYPASS AND SHOULD BE READY TO ACCEPT THE SYSTEM LOAD

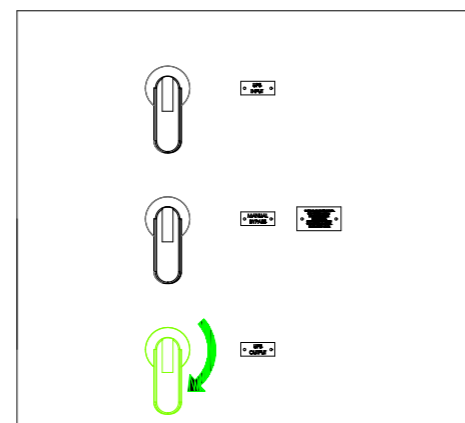
IF IN ANY DOUBT CONTACT YOUR UPS SYSTEM SERVICE PROVIDER BEFORE PROCEEDING

MANUAL BYPASS:
-IN THE ON POSITION

UPS OUTPUT:
-IN THE OFF POSITION

UPS UNIT:
-STATIC BYPASS – LOAD ON MAINS

STEP G

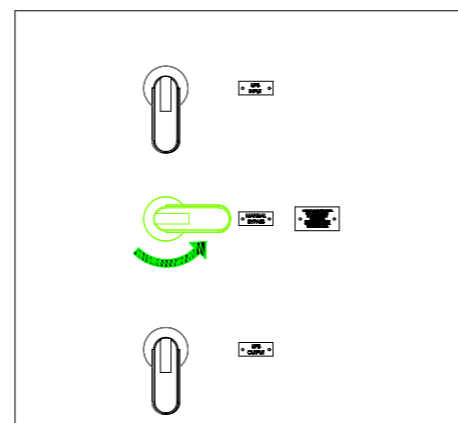


MANUAL BYPASS:
-IN THE ON POSITION

UPS OUTPUT:
-IN THE ON POSITION

UPS UNIT:
-STATIC BYPASS – LOAD ON MAINS

STEP H



MANUAL BYPASS:
-IN THE OFF POSITION

UPS OUTPUT:
-IN THE ON POSITION

UPS UNIT:
-STATIC BYPASS – LOAD ON MAINS

STEP I

REFER TO UPS USER MANUAL TO SWITCH THE UPS UNIT (OR UNITS) TO ONLINE MODE

ONCE UPS UNIT (OR UNITS) ARE ONLINE THE SEQUENCE IS COMPLETE AND THE LOAD IS NOW BACKED UP BY UPS

IF IN ANY DOUBT CONTACT YOUR UPS SERVICE PROVIDER

MANUAL BYPASS:
-IN THE OFF POSITION

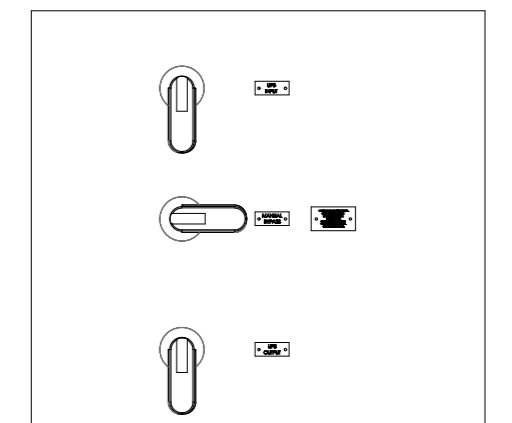
UPS OUTPUT:
-IN THE ON POSITION

UPS UNIT:
-ONLINE – LOAD ON UPS

THE UPS MUST BE IN ONLINE IN NORMAL OPERATION (INVERTER RUNNING) OR LOAD WILL NOT BE PROTECTED.

IF UNSURE CONTACT YOUR UPS SERVICE PROVIDER.

STEP J (NORMAL POSITION)



MANUAL BYPASS:
-IN THE OFF POSITION

UPS OUTPUT:
-IN THE ON POSITION

UPS UNIT:
-ONLINE – LOAD ON UPS

NOTES:

- 1) PRODUCT MUST BE INSTALLED IN COMPLIANCE WITH ALL NATIONAL AND LOCAL ELECTRICAL REGULATIONS
- 2) PLEASE REFER TO UPS PRODUCT MANUALS FOR ADDITIONAL INFORMATION
- 3) ALL DIMENSIONS IN MM UNLESS OTHERWISE SPECIFIED
- 4) 4 – CORE SHIELDED SIGNAL CABLE MUST BE RUN FROM EMBS TO EACH UPS UNIT
- 5) ALL DASHED LINES EXTERNAL TO BYPASS PANEL

| | | | |
|--------------------|------------------------------|----------------|--------------|
| PRODUCT REF: | RB1-EMBS-630A-4P-ISO-(4-4-4) | REV NO: | 4 |
| DOCUMENT NUMBER: | RBECAD-00099 | CREATION DATE: | 24/05/2016 |
| PAGE DESCRIPTION: | OPERATING INSTRUCTIONS | REV DATE: | 25/07/2020 |
| PROJECT NO: | SUBMITTAL DRAWING | DRAWN BY: | R BARNES |
| PAGE TEMPLATE REF: | RBQS00078REV2 | CHECKED BY: | L RICHARDSON |
| PRODUCT WEIGHT: | 300KG | SHEET NUMBER: | 3 OF 6 |

MECHANICAL LAYOUT

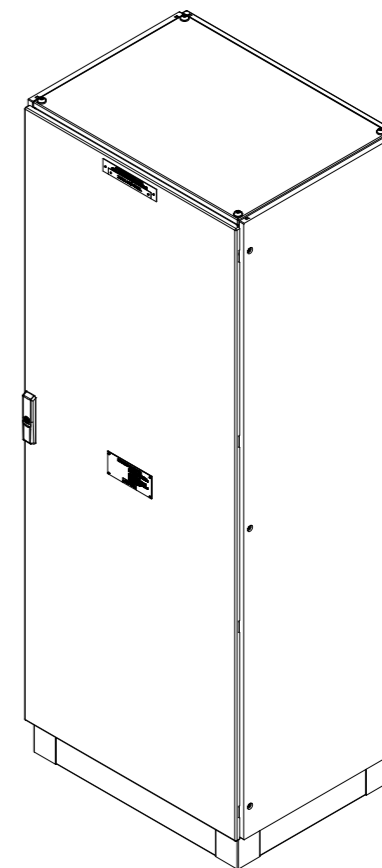
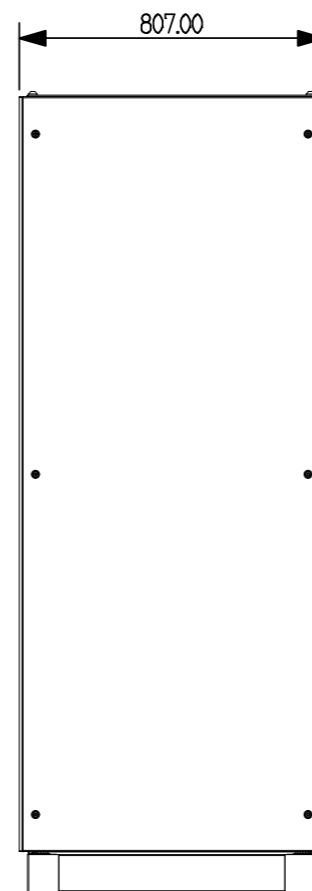
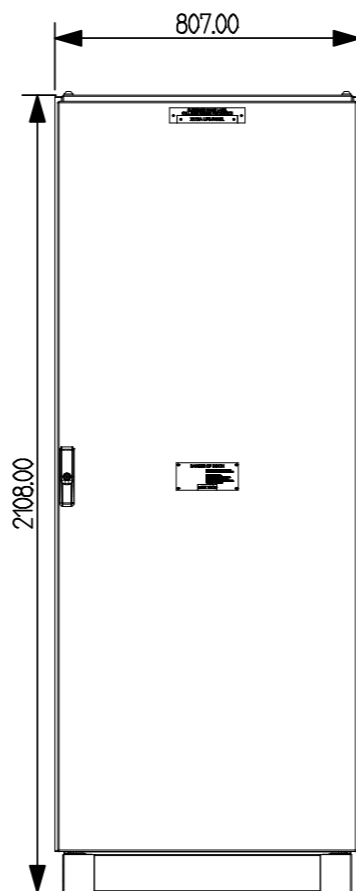
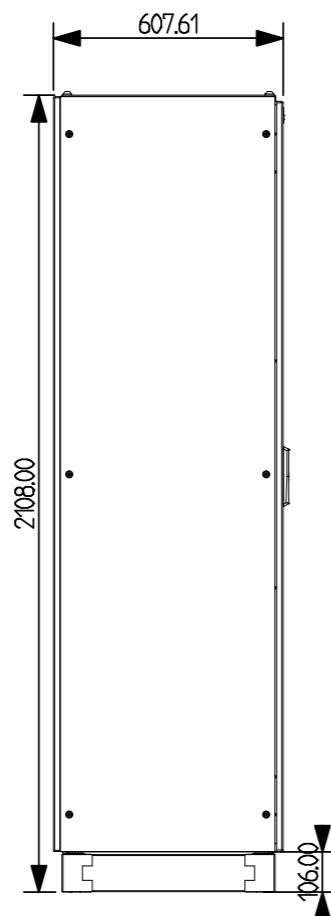
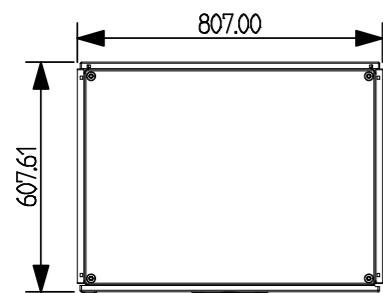
LEFT VIEW

FRONT VIEW

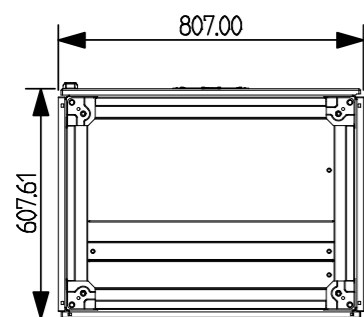
REAR VIEW

ISOMETRIC VIEW

TOP VIEW



BOTTOM VIEW



NOTES ON MECHANICAL LAYOUT:

1. ADDITIONAL GLANDING OPTIONS ON SIDES AND TOP AVAILABLE ON REQUEST
2. PLINTH CAN BE SWAPPED FOR ADJUSTABLE FEET ON REQUEST
3. DOOR CAN BE HUNG ON OPPOSITE SIDE ON REQUEST

NOTES:

- 1) PRODUCT MUST BE INSTALLED IN COMPLIANCE WITH ALL NATIONAL AND LOCAL ELECTRICAL REGULATIONS
- 2) PLEASE REFER TO UPS PRODUCT MANUALS FOR ADDITIONAL INFORMATION
- 3) ALL DIMENSIONS IN MM UNLESS OTHERWISE SPECIFIED
- 4) 4 - CORE SHIELDED SIGNAL CABLE MUST BE RUN FROM EMBS TO EACH UPS UNIT
- 5) ALL DASHED LINES EXTERNAL TO BYPASS PANEL

| | | | |
|--------------------|------------------------------|----------------|--------------|
| PRODUCT REF: | RB1-EMBS-630A-4P-ISO-(4-4-4) | REV NO: | 4 |
| DOCUMENT NUMBER: | RBECAD-00099 | CREATION DATE: | 25/04/2016 |
| PAGE DESCRIPTION: | MECHANICAL LAYOUT | REV DATE: | 25/07/2020 |
| PROJECT NO: | SUBMITTAL DRAWING | DRAWN BY: | R BARNES |
| PAGE TEMPLATE REF: | RBQS00078REV1 | CHECKED BY: | L RICHARDSON |
| PRODUCT WEIGHT: | 300KG | SHEET NUMBER: | 4 OF 6 |

INTERNAL LAYOUT

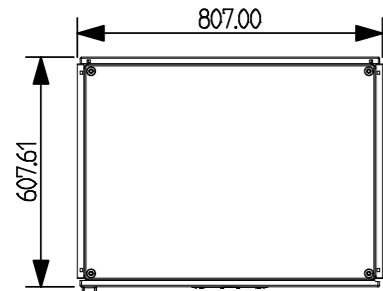
LEFT VIEW

FRONT VIEW

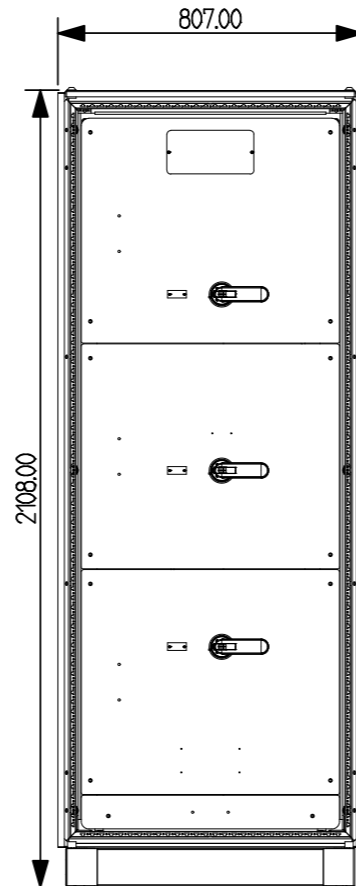
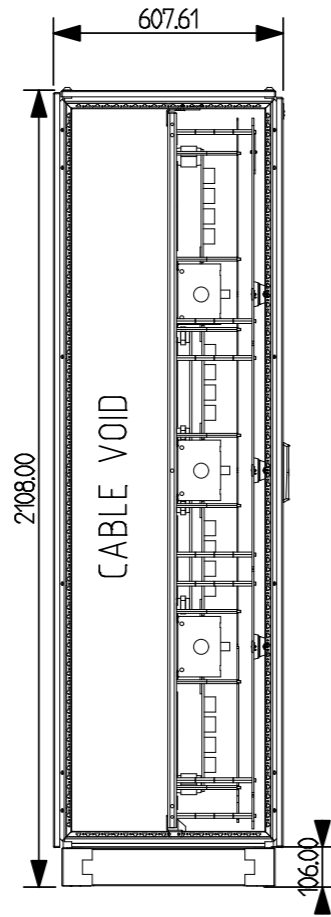
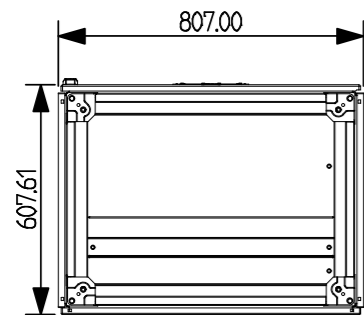
REAR VIEW

ISOMETRIC VIEW

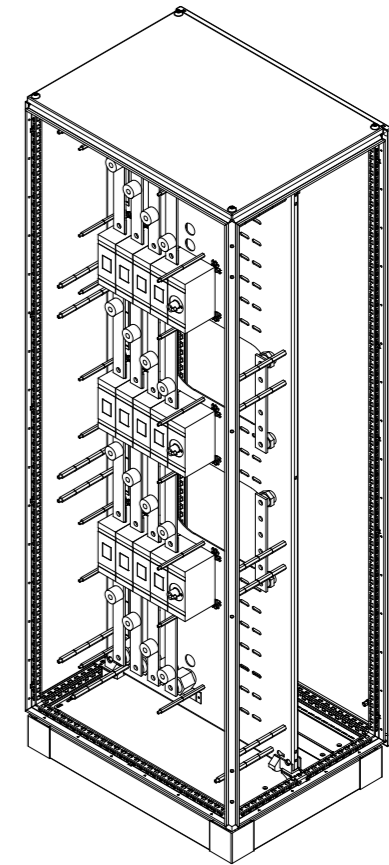
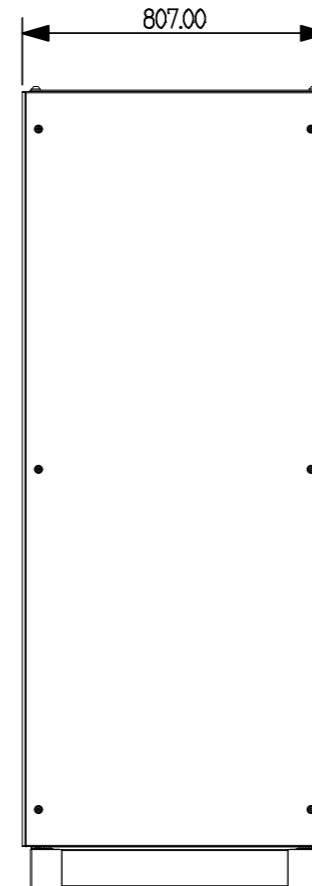
TOP VIEW



BOTTOM VIEW



DOOR NOT SHOWN



DOOR NOT SHOWN

ELECTRICAL CONNECTIONS:

1. ALL CONNECTIONS M12 BOLT
2. SIDE AND TOP ALLOY GLAND PLATES ARE AVAILABLE AS OPTIONS

NOTES:

- 1) PRODUCT MUST BE INSTALLED IN COMPLIANCE WITH ALL NATIONAL AND LOCAL ELECTRICAL REGULATIONS
- 2) PLEASE REFER TO UPS PRODUCT MANUALS FOR ADDITIONAL INFORMATION
- 3) ALL DIMENSIONS IN MM UNLESS OTHERWISE SPECIFIED
- 4) 4 - CORE SHIELDED SIGNAL CABLE MUST BE RUN FROM EMBS TO EACH UPS UNIT
- 5) ALL DASHED LINES EXTERNAL TO BYPASS PANEL

| | | | |
|--------------------|------------------------------|----------------|--------------|
| PRODUCT REF: | RB1-EMBS-630A-4P-ISO-(4-4-4) | REV NO: | 4 |
| DOCUMENT NUMBER: | RBECAD-00099 | CREATION DATE: | 11/05/2020 |
| PAGE DESCRIPTION: | INTERNAL LAYOUT | REV DATE: | 25/07/2020 |
| PROJECT NO: | SUBMITTAL DRAWING | DRAWN BY: | R BARNES |
| PAGE TEMPLATE REF: | RBQS00078REV2 | CHECKED BY: | L RICHARDSON |
| PRODUCT WEIGHT: | 300KG | SHEET NUMBER: | 5 OF 6 |

0 1 2 3 4 5 6 7 8 9

A

COPPER LAYOUT

LEFT VIEW

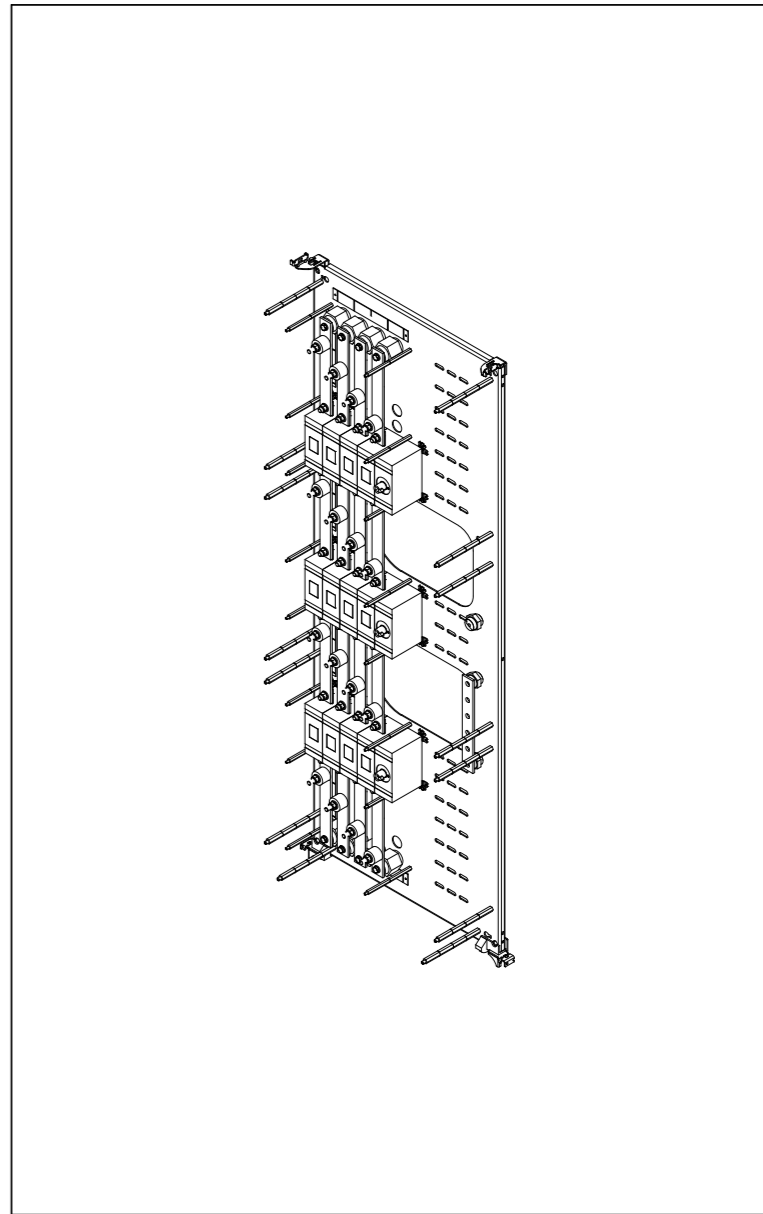
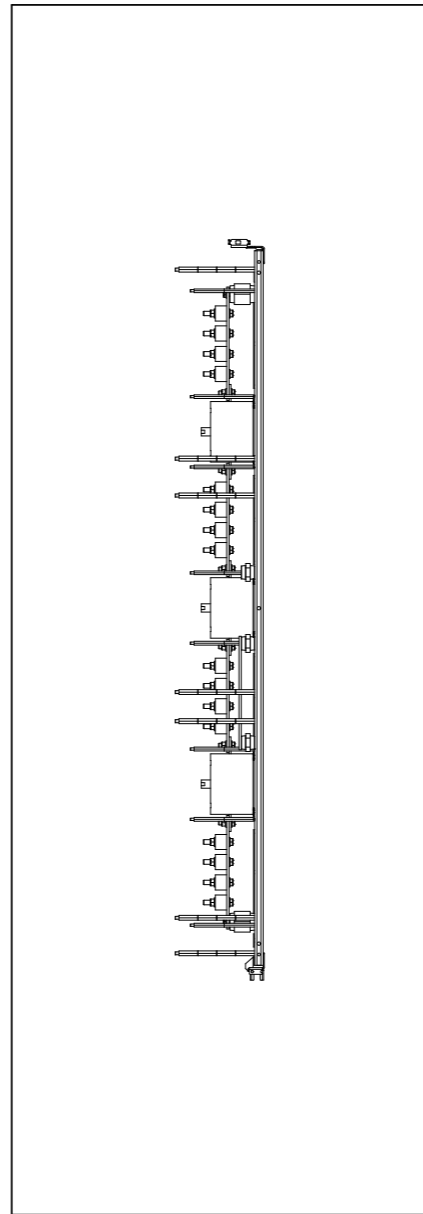
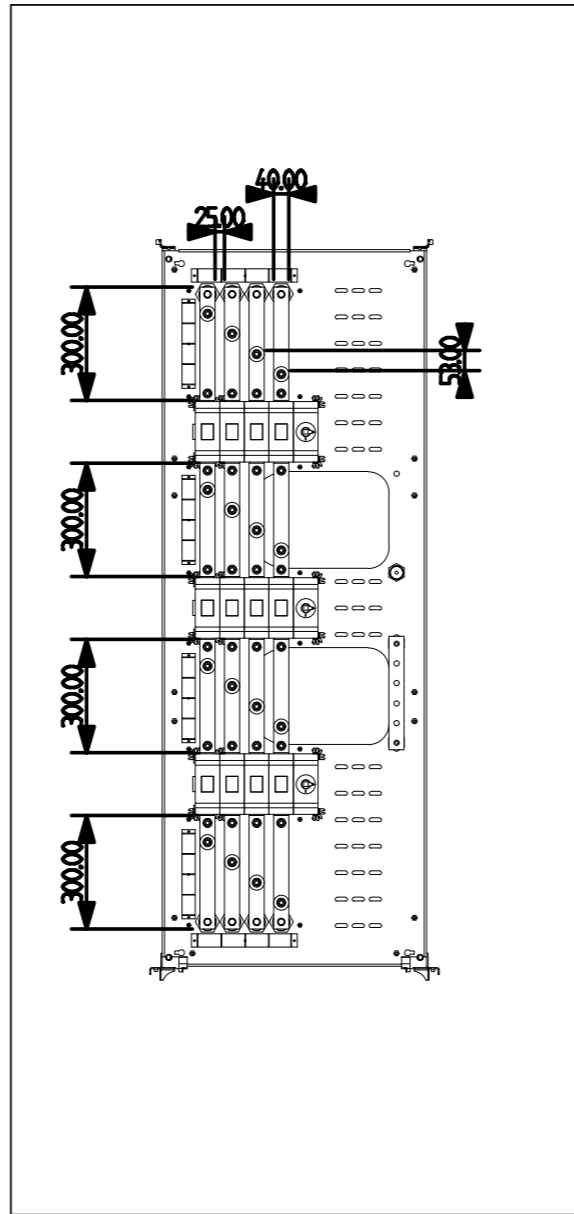
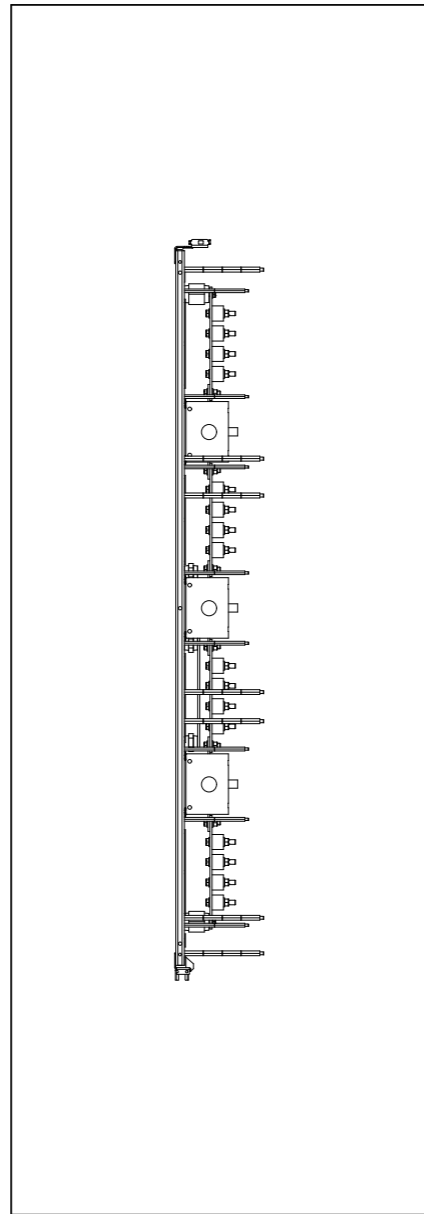
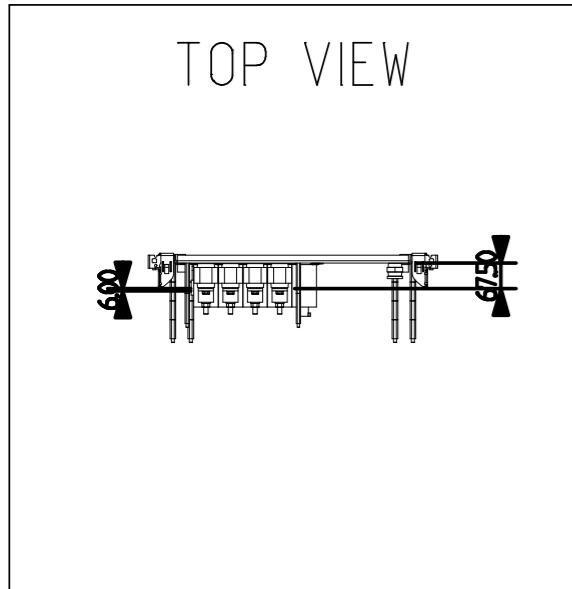
FRONT VIEW

REAR VIEW

ISOMETRIC VIEW

A

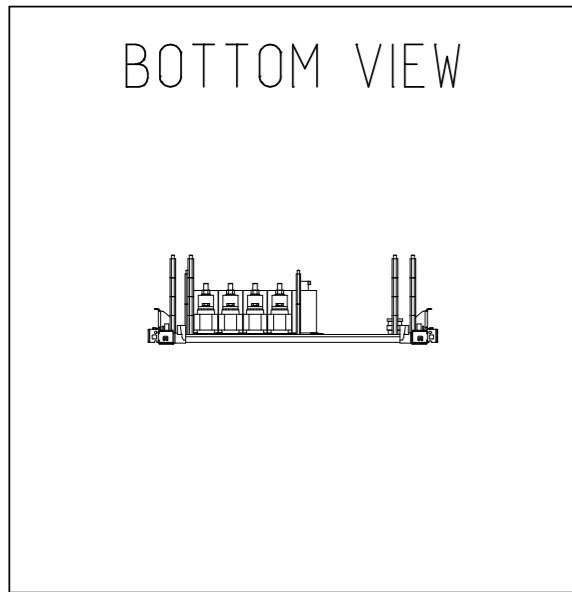
B



B

C

D



C

D

E

E

ELECTRICAL CONNECTIONS:

1. ALL CONNECTIONS M12 BOLT
2. SIDE AND TOP ALLOY GLAND PLATES ARE AVAILABLE AS OPTIONS

NOTE: ENCLOSURE NOT SHOWN FOR CLARITY. ENCLOSURE IS SUPPLIED AS STANDARD

F

F

NOTES:
 1) PRODUCT MUST BE INSTALLED IN COMPLIANCE WITH ALL NATIONAL AND LOCAL ELECTRICAL REGULATIONS
 2) PLEASE REFER TO UPS PRODUCT MANUALS FOR ADDITIONAL INFORMATION
 3) ALL DIMENSIONS IN MM UNLESS OTHERWISE SPECIFIED
 4) 4 - CORE SHIELDED SIGNAL CABLE MUST BE RUN FROM EMBS TO EACH UPS UNIT
 5) ALL DASHED LINES EXTERNAL TO BYPASS PANEL

| | | | |
|--------------------|------------------------------|----------------|--------------|
| PRODUCT REF: | RB1-EMBS-630A-4P-ISO-(4-4-4) | REV NO: | 4 |
| DOCUMENT NUMBER: | RBECAD-00099 | CREATION DATE: | 25/07/2020 |
| PAGE DESCRIPTION: | COPPER LAYOUT | REV DATE: | 25/07/2020 |
| PROJECT NO: | SUBMITTAL DRAWING | DRAWN BY: | R BARNES |
| PAGE TEMPLATE REF: | RBQS00078REV2 | CHECKED BY: | L RICHARDSON |
| PRODUCT WEIGHT: | 300KG | SHEET NUMBER: | 6 OF 6 |