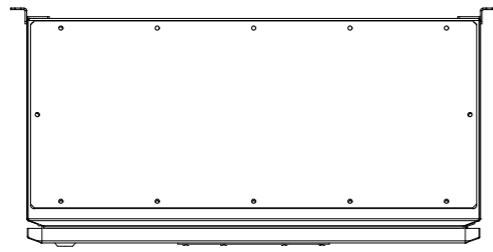


NOTES:

- 1) PRODUCT MUST BE INSTALLED IN COMPLIANCE WITH ALL NATIONAL AND LOCAL ELECTRICAL REGULATIONS
- 2) PLEASE REFER TO UPS PRODUCT MANUALS FOR ADDITIONAL INFORMATION
- 3) ALL DIMENSIONS IN MM UNLESS OTHERWISE SPECIFIED
- 4) 4 - CORE SHIELDED SIGNAL CABLE MUST BE RUN FROM EMBS TO EACH UPS UNIT
- 5) ALL DASHED LINES EXTERNAL TO BYPASS PANEL

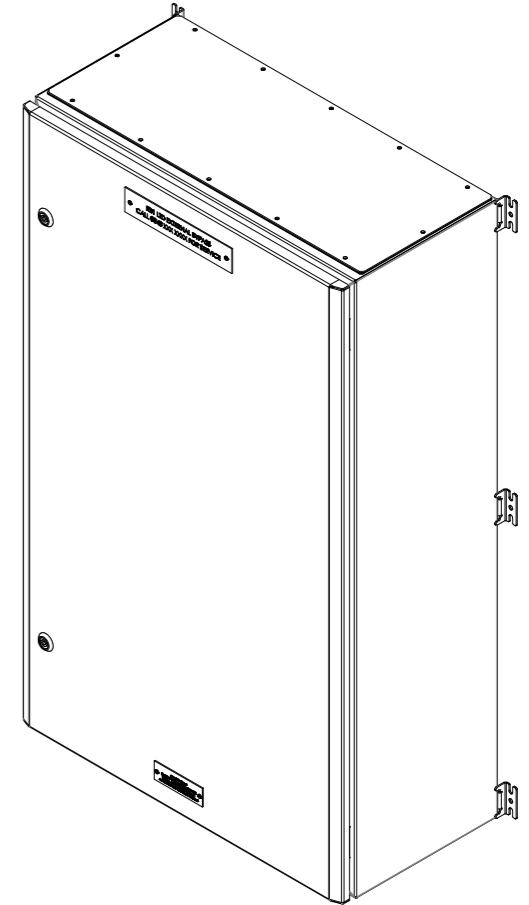
| | | | |
|--------------------|---------------------|----------------|--------------|
| PRODUCT REF: | RB1-DC-F4-400-3P-4S | REV NO: | 1 |
| DOCUMENT NUMBER: | RBECAD00418 | CREATION DATE: | 29/04/2016 |
| PAGE DESCRIPTION: | MAIN SWITCH'S | REV DATE: | 29/08/2018 |
| PROJECT NO: | SUBMITTAL DRAWING | DRAWN BY: | R BARNES |
| PAGE TEMPLATE REF: | RBQS00075REV2 | CHECKED BY: | L RICHARDSON |
| PRODUCT WEIGHT: | 45KG | SHEET NUMBER: | 1 OF 2 |

TOP VIEW:

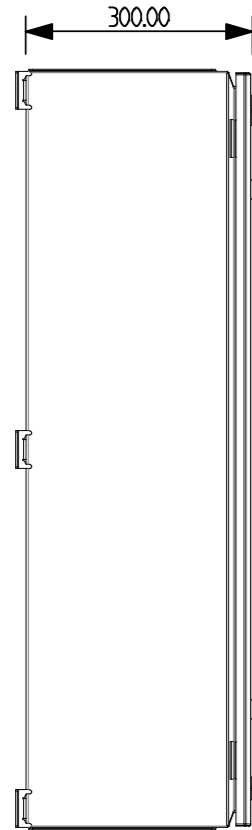


MECHANICAL LAYOUT

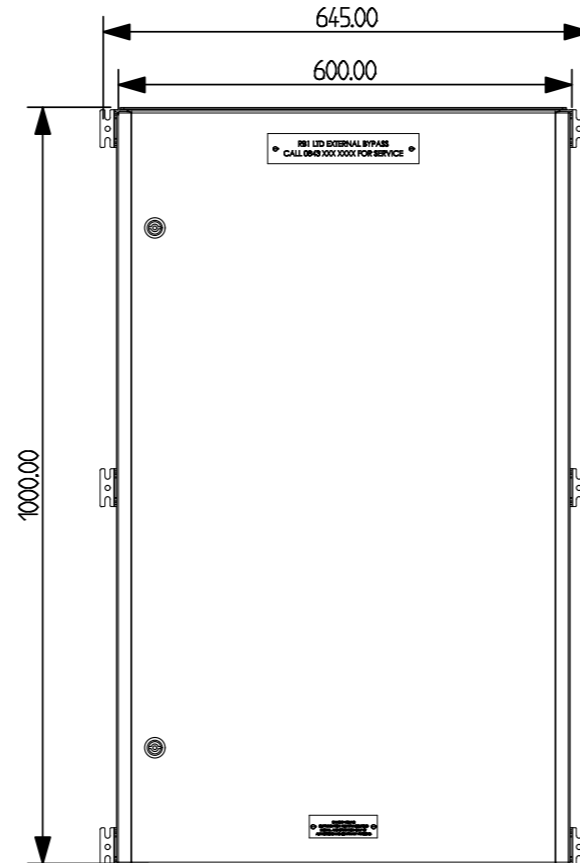
ISO VIEW:



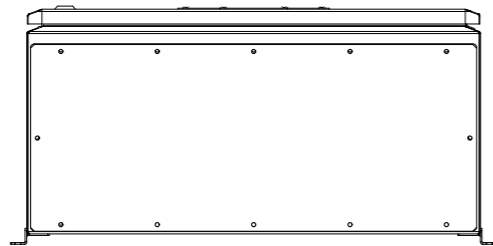
LEFT VIEW:



FRONT VIEW:



BOTTOM VIEW:



CABLE GLANDING:

MAIN DC FEED: TOP/BOTTOM
BATTERY FEEDS: TOP/BOTTOM

CABLE TERMINATIONS:

MAIN DC FEED: 1 x M10 BOLT
BATTERY CONNECTIONS: M10 BOLT
EARTH: M6/M8 BOLT

NOTES:

- 1) PRODUCT MUST BE INSTALLED IN COMPLIANCE WITH ALL NATIONAL AND LOCAL ELECTRICAL REGULATIONS
- 2) PLEASE REFER TO UPS PRODUCT MANUALS FOR ADDITIONAL INFORMATION
- 3) ALL DIMENSIONS IN MM UNLESS OTHERWISE SPECIFIED
- 4) 4 - CORE SHIELDED SIGNAL CABLE MUST BE RUN FROM EMBS TO EACH UPS UNIT
- 5) ALL DASHED LINES EXTERNAL TO BYPASS PANEL

| | | | |
|--------------------|---------------------|----------------|--------------|
| PRODUCT REF: | RB1-DC-F4-400-3P-4S | REV NO: | 1 |
| DOCUMENT NUMBER: | RBECAD00418 | CREATION DATE: | 29/04/2016 |
| PAGE DESCRIPTION: | MECHANICAL LAYOUT | REV DATE: | 29/08/2018 |
| PROJECT NO: | SUBMITTAL DRAWING | DRAWN BY: | R BARNES |
| PAGE TEMPLATE REF: | RBQS00078REV2 | CHECKED BY: | L RICHARDSON |
| PRODUCT WEIGHT: | 45KG | SHEET NUMBER: | 2 OF 2 |